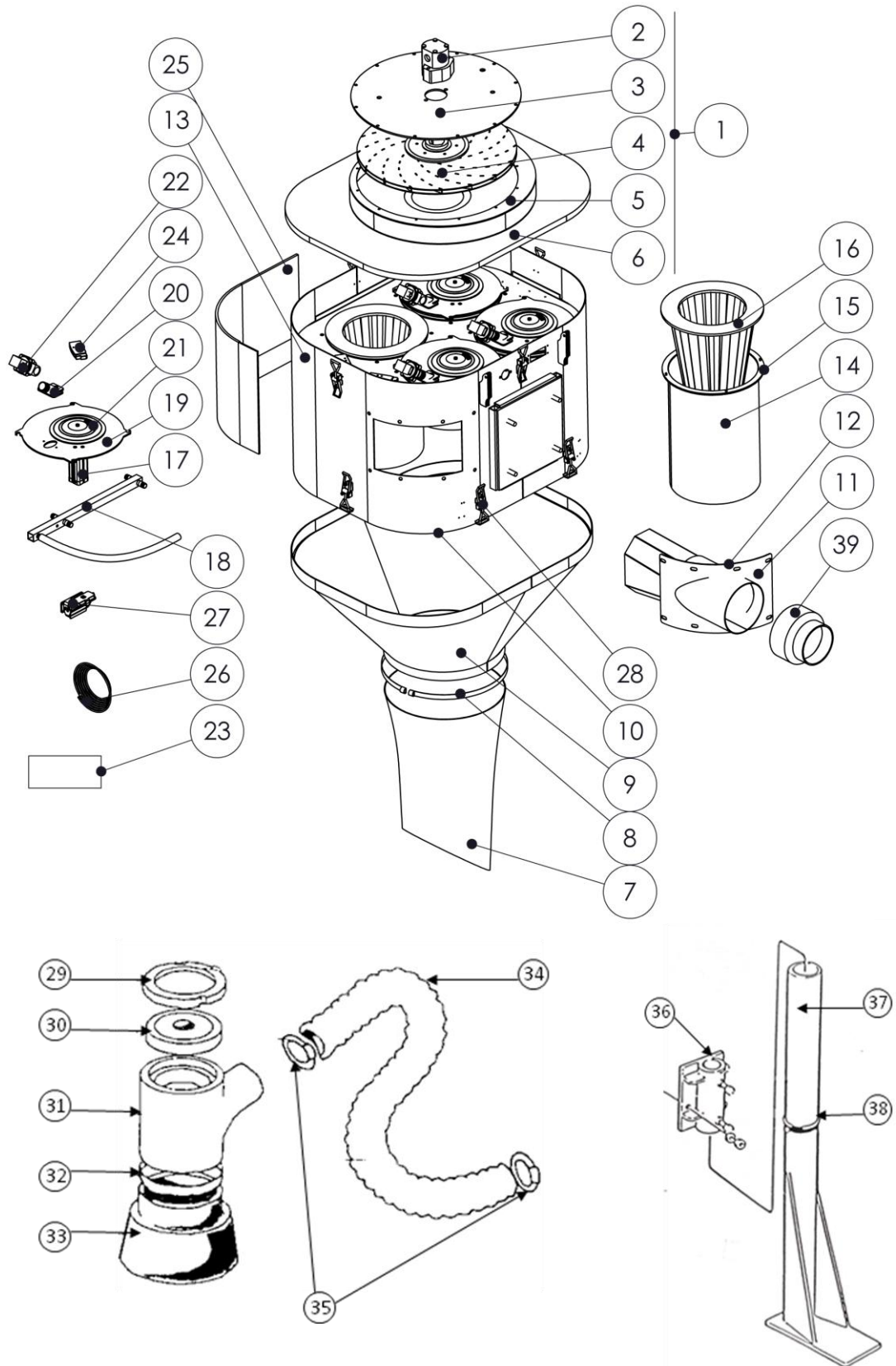




# X-150

Part no:22300511  
Spare parts list



**SPARE PARTS LIST****X-150****Part no: 22300511**

<b>Pos</b>	<b>Description</b>	<b>Art.no.</b>	<b>Comment</b>
1.	Fan, complete X150-600-27	223 00512	pos 2-6
2.	Hydraulic motor 11 cc	223 00513	
3.	Fan top	223 00187	
4.	Fan wheel for X150-600-27	223 00514	
5.	Sealing, 8x4x2010mm	299 00006	
6.	Fan housing	199 00007	
7.	Rubber valve 700-460	399 S30000	
8.	Clamp for rubber valve	599 79300	
9.	Bottom housing section	199 00010	
10.	Sealing strip 3400mm	199 00021	
11.	Inlet 8"	299 00034	
12.	Inlet gasket	199 00019	
13.	Filter housing	199 00022	
14.	Filter protection	299 00011	
15.	Sealing 25x10x1200mm	299 00012	
16.	Filter	299 00013	
17.	Double-acting cylinder	299 00014	
18.	Air piping assy	299 00076	
19.	Filter lid	299 00015	
20.	Air pipe	223 00097	
21.	Valve plate dia. 210mm	299 00017	
22.	Solenoid valve assy 1"	499 54045	
	Diaphragm 1"	499 54400	
23.	Control system	199 00023	
24.	Control valve 5/2	299 00001	
25.	Wear protection 835x449	19900020	
26.	Hosing assy	199 00024	
27.	El. cable assy	299 00071	
28.	Excenter lock	399 14810	
29.	Gasket lock ring dia. 300	399 53200	Optional
30.	Gasket 300-50	399 70900	Optional
	Gasket 300-60	399 71000	Optional
31.	Pick-up-hood housing, 6" outlet	399 S0110	Optional
32.	Skirt clamp	399 79200	Optional
33.	Rubber skirt	399 07000	Optional
34.	Suction hose 6" ID4500	399 83690	Optional
35.	Hose clamp 6"	399 74200	Optional
36.	Bracket plate, standard	399 S8130	Optional
37.	Mounting pole, standard	399 S8101	Optional
38.	Swivel ring, standard (for pole)	399 S8161	Optional
39.	Inlet Adapter 8"-6"	223 00515	Optional