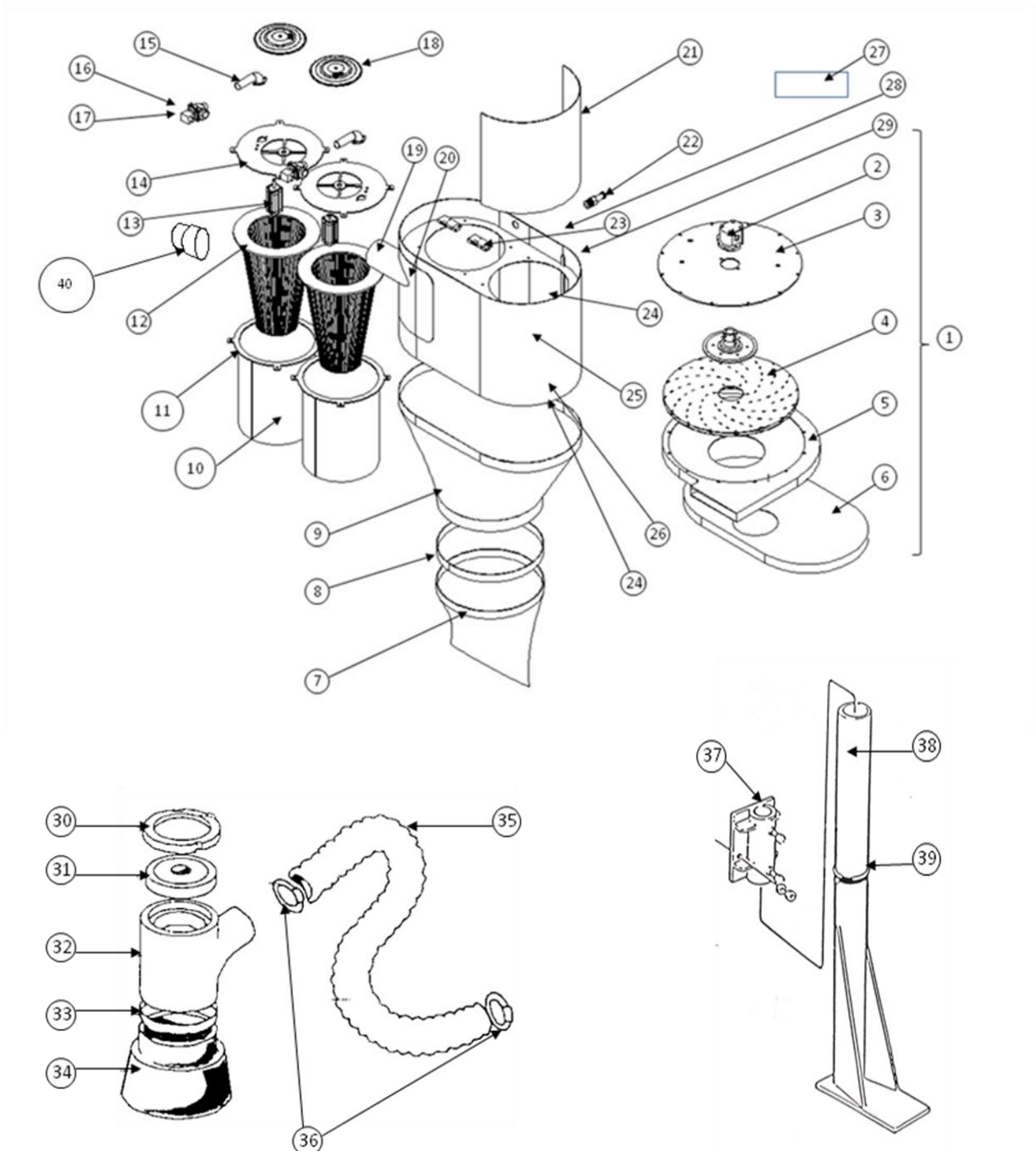


X-100

Spare parts list





SPARE PARTS LIST

X-100

Pos	Description	Art.no.	Comment
1.	Fan, complete X125-14	299 00003	pos 2-6
2.	Hydraulic motor 5,5 cc	299 40050	
3.	Fan top	299 00004	
4.	Fan wheel for X125-14	299 00005	
5.	Sealing, 8x4x2010mm	299 00006	
6.	Fan housing	299 00007	
7.	Rubber valve	299 00008	
8.	Clamp for rubber valve	299 00009	
9.	Bottom housing section	299 00010	
10.	Filter protection	299 00011	
11.	Sealing 25x10x1200mm	299 00012	
12.	Filter	299 00013	
13.	Double-acting cylinder	299 00014	
14.	Filter lid	299 00015	
15.	Air pipe	299 00016	
16.	Diaphragm 1"	499 54400	
17.	Solenoid valve 1"	499 S54045	
18.	Valve plate dia. 210mm	299 00017	
19.	Inlet	299 00018	
20.	Inlet gasket	299 00019	
21.	Wear protection	299 00020	
22.	6-sided nipple 1"	399 75000	
23.	Control valve 5/2	299 00001	
24.	Sealing strip 2440mm	299 00021	
25.	Filter housing	299 00022	
26.	Lock	399 14810	
27.	Control system	299 00023	
28.	Hosing assy	299 00024	
29.	El. cable assy	299 00025	
30.	Gasket lock ring dia. 210	399 53100	
31.	Gasket 145-35	399 70100	top hammer
	Gasket 210-35	399 70200	top hammer
	Gasket 210-50	399 70300	
	Gasket 210-60	399 70400	
	Gasket 300-50	399 70900	
	Gasket 300-60	399 71000	
32.	Pick-up-hood housing, 4" outlet	399 01000	
33.	Skirt clamp	399 79200	
34.	Rubber skirt	399 07000	
35.	Suction hose 4" ID4500	399 83670	
36.	Hose clamp 4"	399 74000	
37.	Bracket plate, standard	399 S8130	
38.	Mounting pole, standard	399 S8101	
39.	Swivel ring, standard	399 S8161	
40.	Inlet reduction 125 mm to 100 mm	299 00026	